

Cone Signs Give Added Safety for Your Work Zone

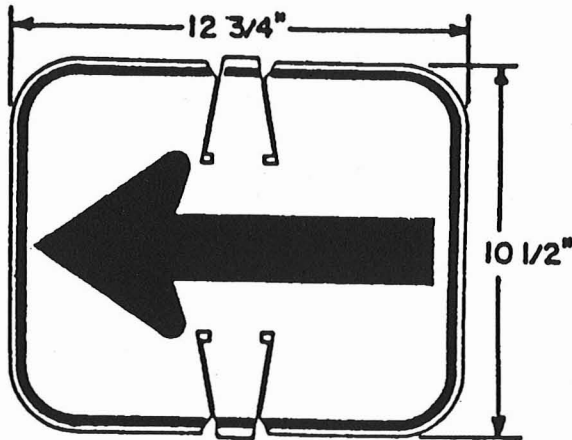
Traffic cones, delineators, and barrels, although critical to your work zone set-up, can only alert people to changing traffic patterns ahead. They do not give directions. However, there is an inexpensive way to improve the safety of your work zone and give extra direction

to the motoring public through the use of cone-topped directional signs. They give fast simple directions at a glance and effectively guide the flow of traffic.

As the drawings below suggest, the signs are very easy to use. Working in a similar manner to a paper clip, they are

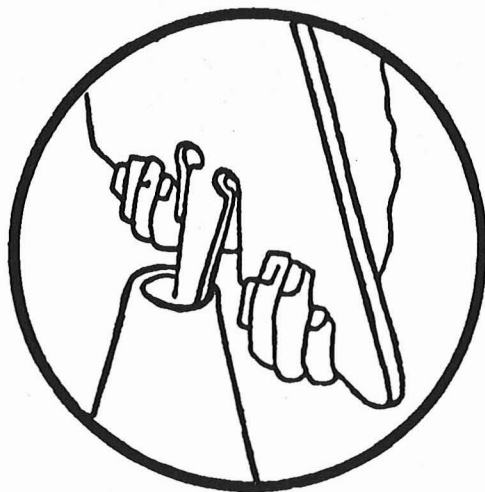
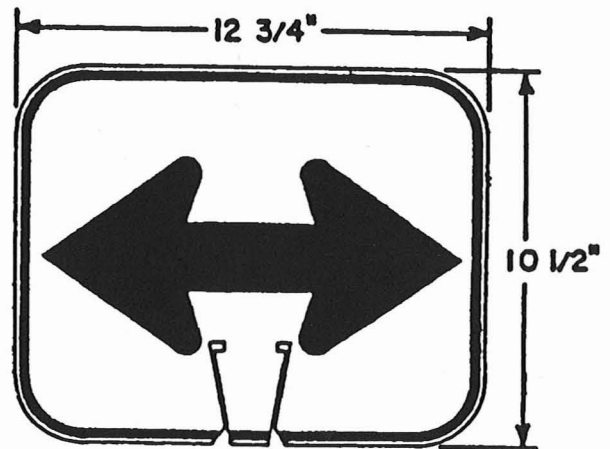
flexed and simply snapped on top of the cones.

There are many types of cone signs available commercially. An example of two signs approved for use in Pennsylvania are shown below.



Color of Legend & Border: Black (non-reflectORIZED)

Color of Background: Orange (reflectORIZED)



Easy to Install



Easy to remove

The above idea comes from the Pennsylvania Local Roads Program, Fact Sheet #49